



TYPE TESTED & CERTIFIED  
LABORATORY REG. NO. 1149

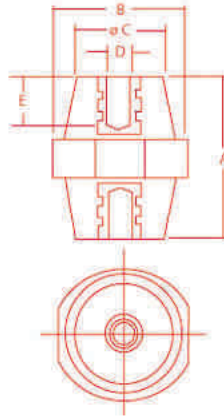
**STANDOFF INSULATORS**

- Type tested to IEC 60439-1 in Australia.
- Made of halogen free fiberglass composite materials.
- Self-extinguishing and heat resistant (ISO 75/A>200°C).
- High thermal, mechanical & electrical strength.

**DIMENSIONS**

CATALOGUE NO.	A	B	øC	D	E
SD1/M06/025	25	30	23	M6	8
SD1/M08/035	35	42	28	M8	12
SD1/M08/035/H	35	42	28	M8	12
SD1/M08/051	51	36	29	M8	13
SD1/M08/051/H	51	36	29	M8	13
SD1/M10/051	51	36	29	M10	18
SD1/M10/076	76	50	36	M10	24

All dimensions in mm



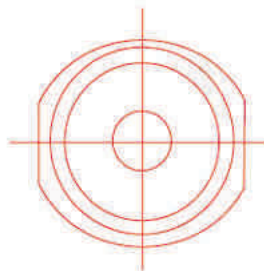
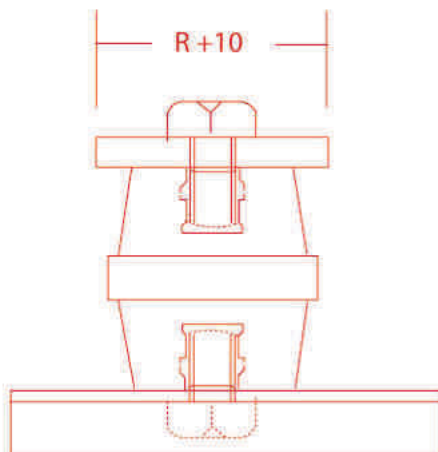
**SPECIFICATIONS**

CATALOGUE NO.	MATERIAL	INSERT	RATED VOLTAGE (kV)	IMPULSE VOLTAGE (kV)	FLEXURAL STRENGTH (kN)	FLEXURAL MODULUS (kN)	TORSION RESISTANCE (Nm)	RECOM. TORQUE (Nm)	TYPE OF BOLT
SD1/M06/025	DMC	M6	0.66	7.5	4	6	15	8	R
SD1/M08/035	DMC	M8	1	23	6.9	10	50	16	R
SD1/M08/035/H	DMC	M8	1	23	6.9	10	50	16	H
SD1/M08/051	DMC	M8	1	37	5	13	50	16	R
SD1/M08/051/H	DMC	M8	1	37	5	13	50	16	H
SD1/M10/051	DMC	M10	1	37	6	13	90	25	R
SD1/M10/076	DMC	M10	1.5	50	12	22	90	28	R

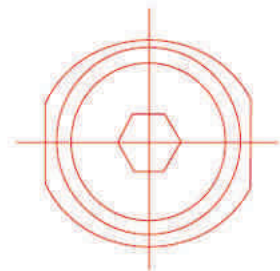
**SHORT CIRCUIT RATINGS (to IEC 60439-1)**

CATALOGUE NO.	KR RMS	kA PEAK	DURATION (secs)	BUSBAR SIDE (mm)	SUPPORT DIST. (mm)	TEST VOLTAGE (V)	FREQUENCY (Hz)	TEST REPORT
SD1/M08/051	35	73.5	1	50 x 10	350	440	50/60	1119/4

**TWO TYPE OF STANDOFF INSULATOR HOLES**



ROUND NUT



HEXA NUT