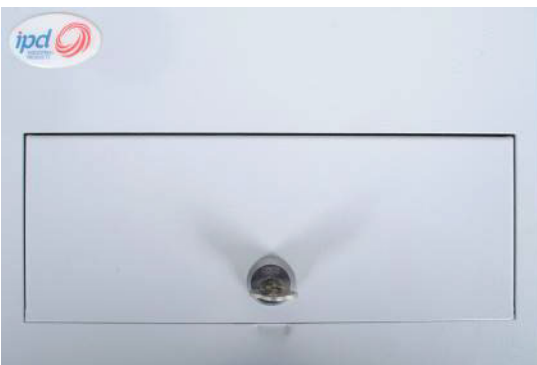


## TLC METAL LOADCENTRES

### FEATURES



- **Steel Thickness** : 2mm mild steel.
- **Painting colour** : RAL - 7035.
- **Painting type** : RIPPLE painted.
- **Painting Thickness** : 60-80 micrometer.
- **Busbar copper** : 2.0mm thickness, Purity :99.9%.
- **Chassis plastic** : Antiflaming ABS.
- **Brass Purity** : iCu 58.34%Zn 37.657% Pb 3.1854.
- Earth and neutral terminal included.
- 12,18,24 pole options available.
- Lock included.



Other lock options available  
Pictured is NSW PWD"E"LOCK

### PART NUMBERS

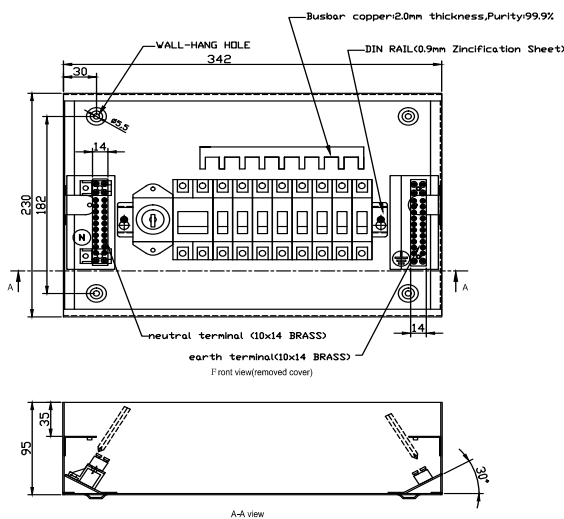
Description	Part No.
12 pole	TLC12P
18 pole	TLC18P
24 pole	TLC24P

# TLC METAL LOADCENTRES

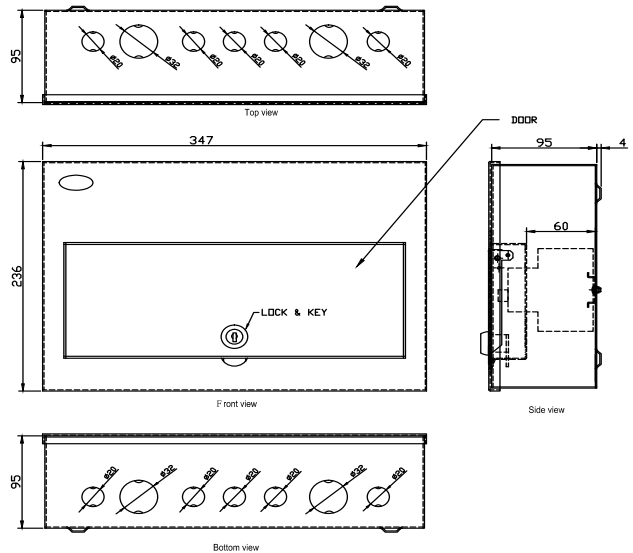
## DIMENSIONS

### TLC12P Front view

#### Removed Cover

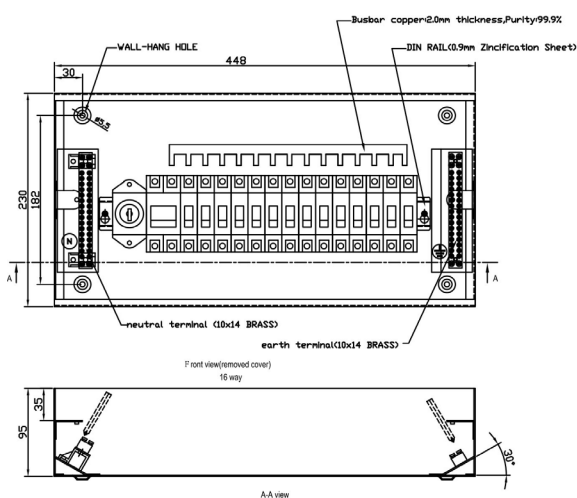


#### Closed Cover

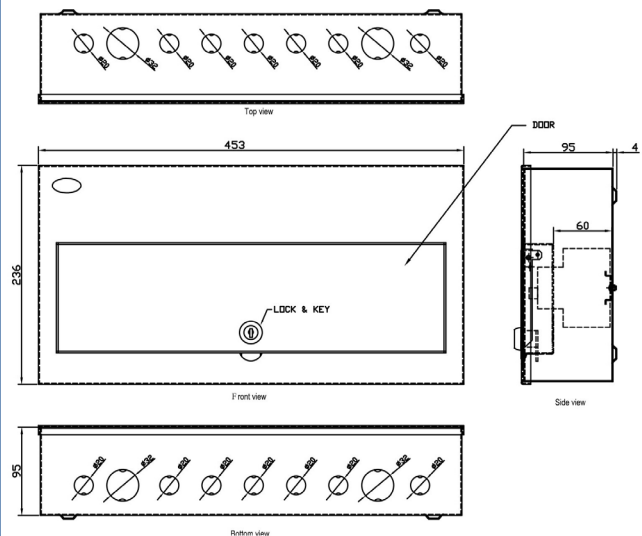


### TLC18P Front view

#### Removed Cover



#### Closed Cover

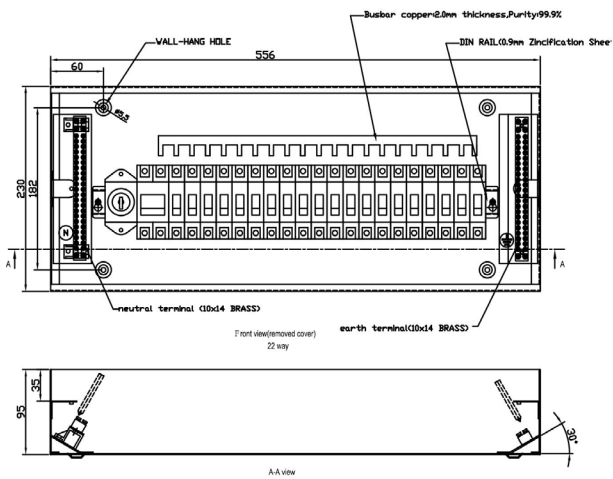


# TLC METAL LOADCENTRES

## DIMENSIONS

### TLC24P Front view

#### Removed Cover



#### Closed Cover

